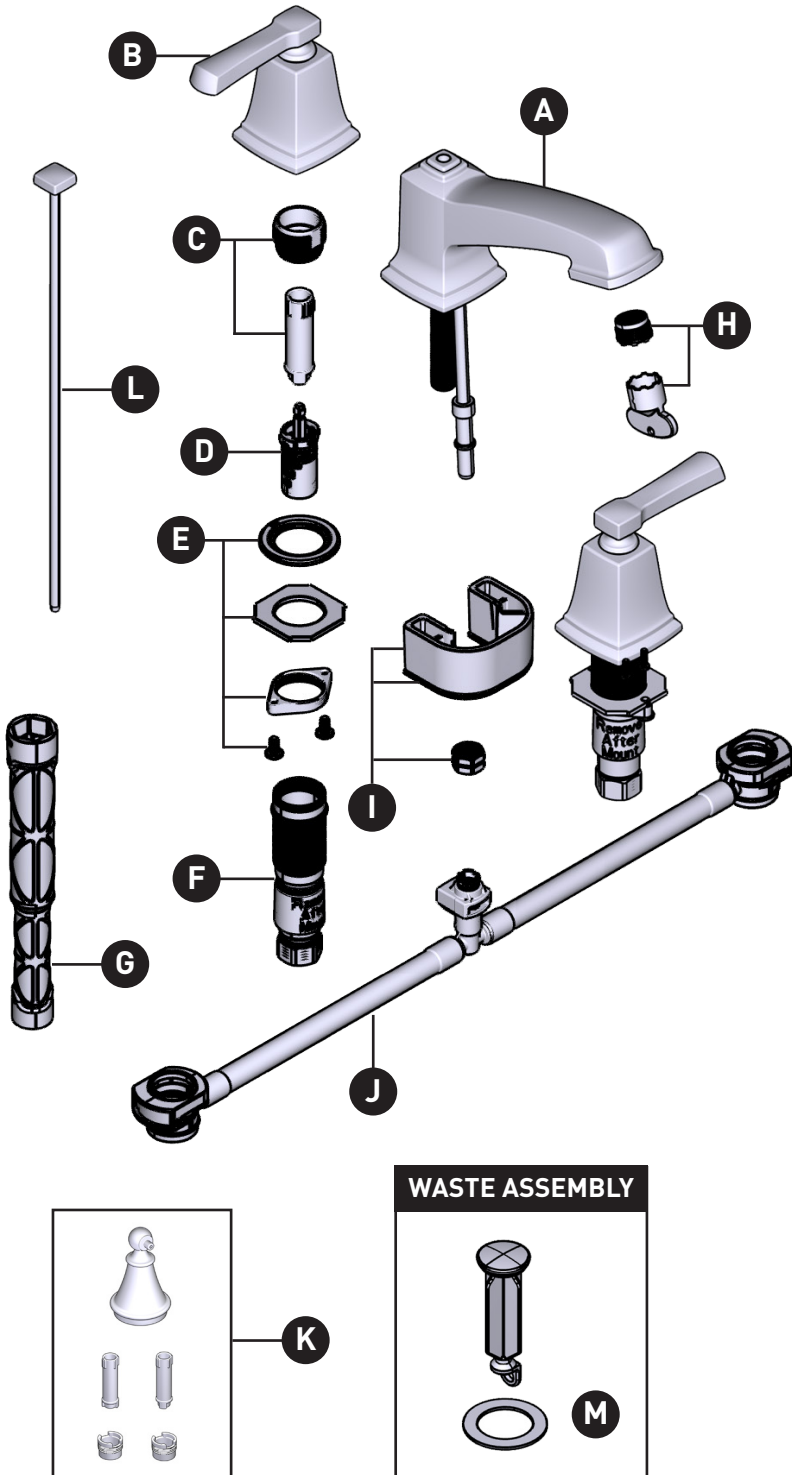


ORDER BY PART NUMBER

BOARDWALK™

Two-Handle Widespread Lavatory Faucet
TV6220 Series



ID	Kit Number	Finish
*A	158370	See below
*B	158369	See below
C	174290	N/A
D	1234	N/A
E	215997	N/A
F	215996 (Hot)	N/A
	215995 (Cold)	N/A
G	118305	N/A
H	180158 1.2gpm	N/A
I	93959	N/A
J	215998	N/A
K	174290	N/A
*L	158368	See below
*M	10709	See below
	10790	Metallic Waste For Additional Waste Information see www.moen.com for models below.

***Finish Determined by Suffix**

Finish	Description
(base kit # = C) <i>(only applicable to * kits)</i>	Chrome
BRB	Mediterranean Bronze
SRN	Spot Resist Brushed Nickel