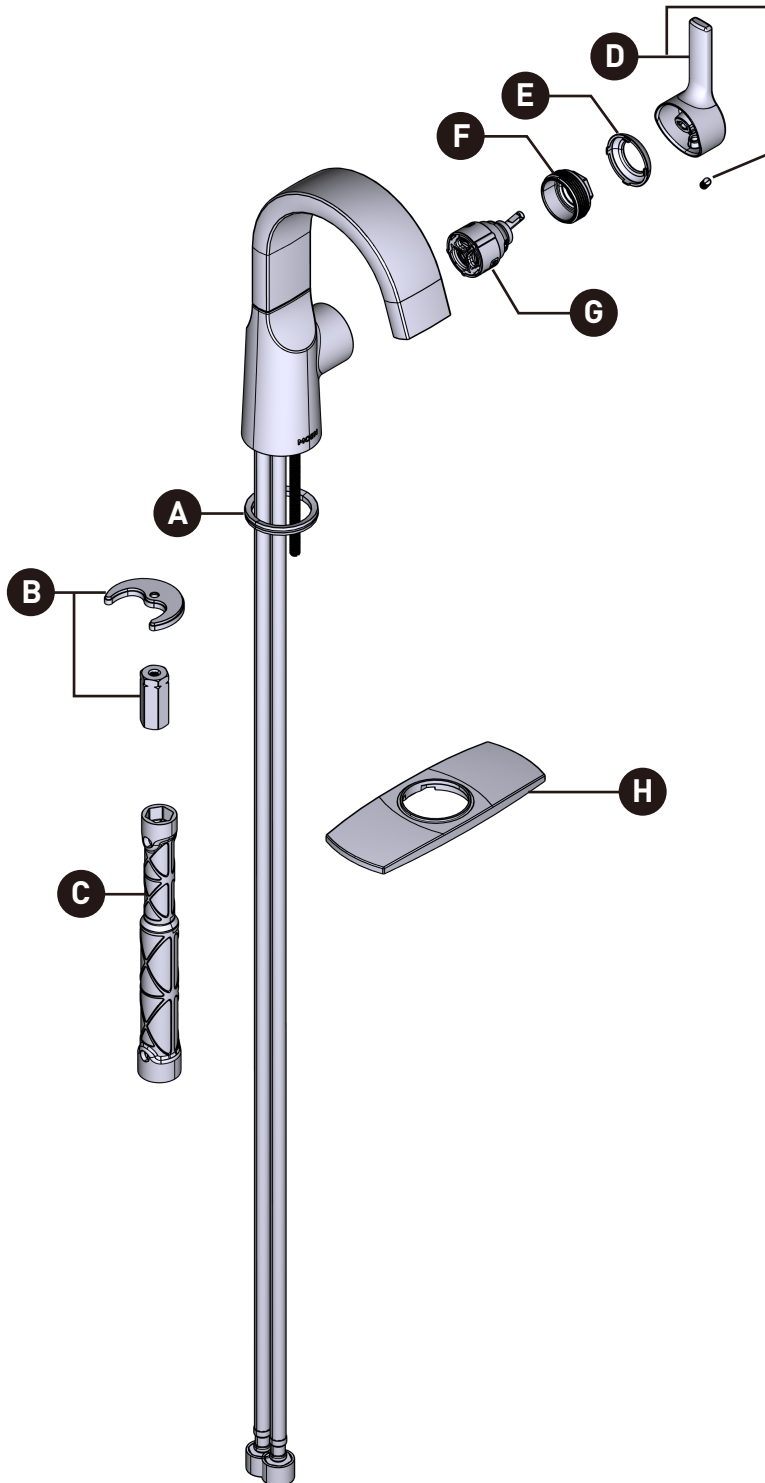


Illustrated Parts

Avri™

One-Handle Lavatory Faucet

MODEL	FINISH	NOTES
84156	Chrome	Spring-Loaded Waste
84156BL	Matte Black	Spring-Loaded Waste
84156SRN	Spot Resist Brushed Nickel	Spring-Loaded Waste



ID	Kit Description	Kit Number	Finish
A	Deck Gasket	190377	N/A
B	Mounting Hardware	165469	N/A
C	Mounting Tool	118305	N/A
D	Handle Kit (Requires 3/32" hex wrench)	217361 217361BL 217361SRN	Chrome Matte Black Spot Resist Brushed Nickel
E	Handle Dome	217362 217362BL 217362SRN	Chrome Matte Black Spot Resist Brushed Nickel
F	Cartridge Nut	144266	N/A
G	Replacement Cartridge	160657	N/A
H	Escutcheon	161919 161919BL 161919SRN	Chrome Matte Black Spot Resist Brushed Nickel
I	Waste Assembly (Top Only)	186479 186479BL 186479CSL	Chrome Matte Black Spot Resist Brushed Nickel
J	Waste Assembly	186478 186478BL 186478CSL	Chrome Matte Black Spot Resist Brushed Nickel

