

# MOEN®

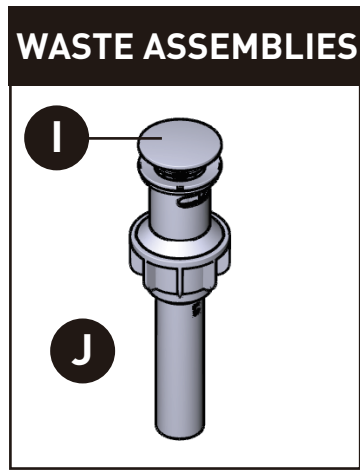
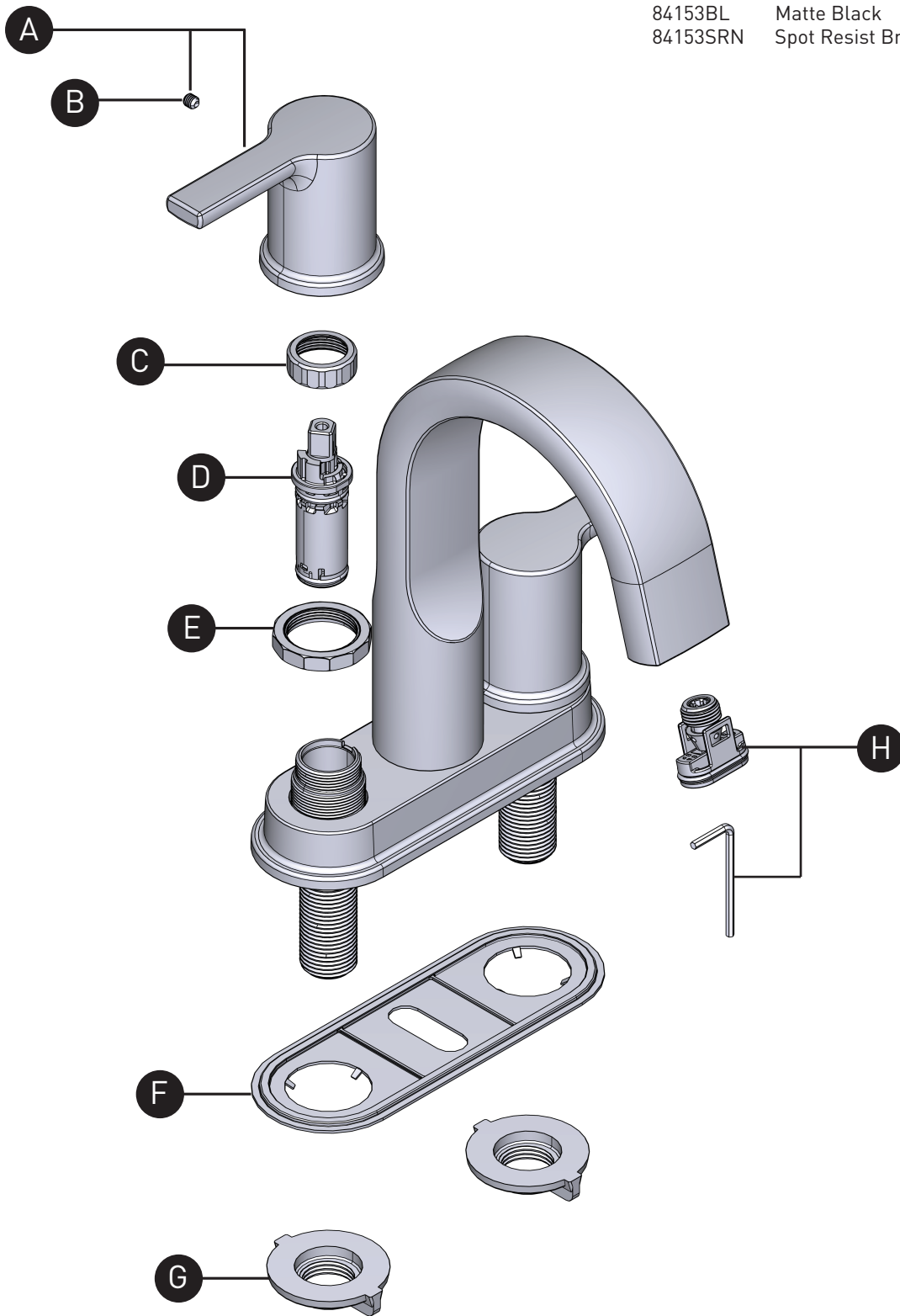
ORDER BY PART NUMBER

## Illustrated Parts

Avri™

Two Handle 4" Centerset Lavatory Faucet

| <u>MODEL</u> | <u>FINISH</u>              | <u>NOTES</u>        |
|--------------|----------------------------|---------------------|
| 84153        | Chrome                     | Spring-Loaded Waste |
| 84153BL      | Matte Black                | Spring-Loaded Waste |
| 84153SRN     | Spot Resist Brushed Nickel | Spring-Loaded Waste |





ORDER BY PART NUMBER

# Illustrated Parts

Avri™

Two Handle 4" Centerset Lavatory Faucet

| ID | Kit Description                    | Kit Number | Finish                     |
|----|------------------------------------|------------|----------------------------|
| A  | Handle Kit - Hot                   | 217296SRN  | Spot Resist Brushed Nickel |
|    |                                    | 217296BL   | Matte Black                |
|    |                                    | 217296     | Chrome                     |
|    | Handle Kit - Cold                  | 217295SRN  | Spot Resist Brushed Nickel |
|    |                                    | 217295BL   | Matte Black                |
|    |                                    | 217295     | Chrome                     |
| B  | Set Screw (Requires 3/32" hex key) | 159198     | N/A                        |
| C  | Cartridge Nut (Qty 2)              | 97535      | N/A                        |
| D  | Replacement Cartridge              | 1224-02    | N/A                        |
| E  | Escutcheon Nut (Qty 2)             | 130560     | N/A                        |
| F  | Deck Gasket                        | 163296     | N/A                        |
|    |                                    | 163296BL   | Matte Black                |
|    |                                    | 163296SRN  | Spot Resist Brushed Nickel |
| G  | Mounting Nuts (Qty 2)              | 145665     | N/A                        |
| H  | Aerator Kit - 1.2gpm               | 181084     | N/A                        |
| I  | Waste Assembly<br>(Top Only)       | 186479BL   | Matte Black                |
|    |                                    | 186479     | Chrome                     |
|    |                                    | 186479SRN  | Spot Resist Brushed Nickel |
| J  | Waste Assembly<br>(Full Assembly)  | 186478BL   | Matte Black                |
|    |                                    | 186478CSL  | Classic Brushed Nickel     |
|    |                                    | 186478     | Chrome                     |