

GREENFIELD™

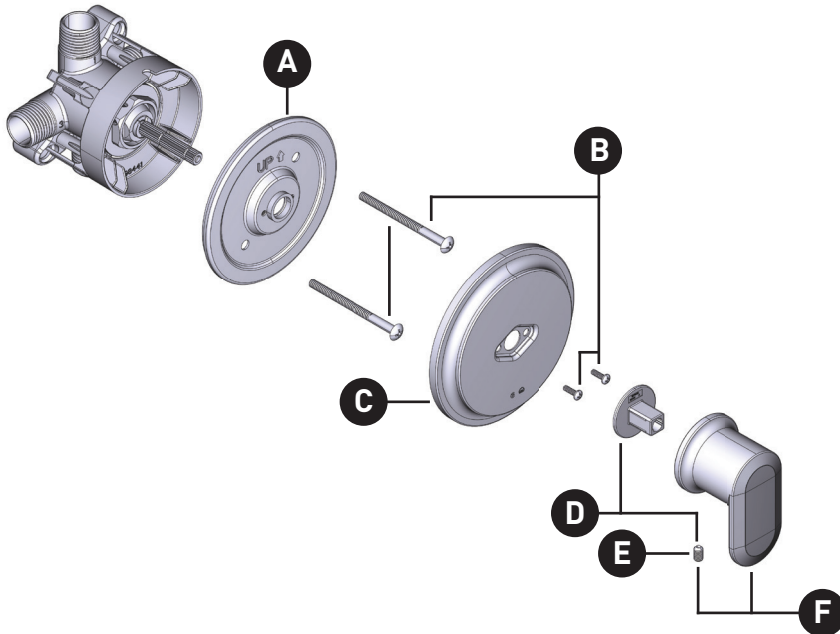
M-CORE Transfer Valve Trim Kit

MODELS: UT6501 Series

ORDER BY PART NUMBER

*Trim can be used with
U231 series or U361 series valves

ID	Kit Number	Finish
A	200711	N/A
B	200712 (x2)	N/A
C*	215584	See below
D	200713	N/A
E	40057 (Requires 3/32" hex key)	N/A
*F	215541	See below
G	200760	N/A



<u>*Finish Determined by Suffix</u>	
<u>Finish</u>	<u>Description</u>
C	Chrome
BN	Brushed Nickel
BG	Brushed Gold
BL	Matte Black