

# MOEN®

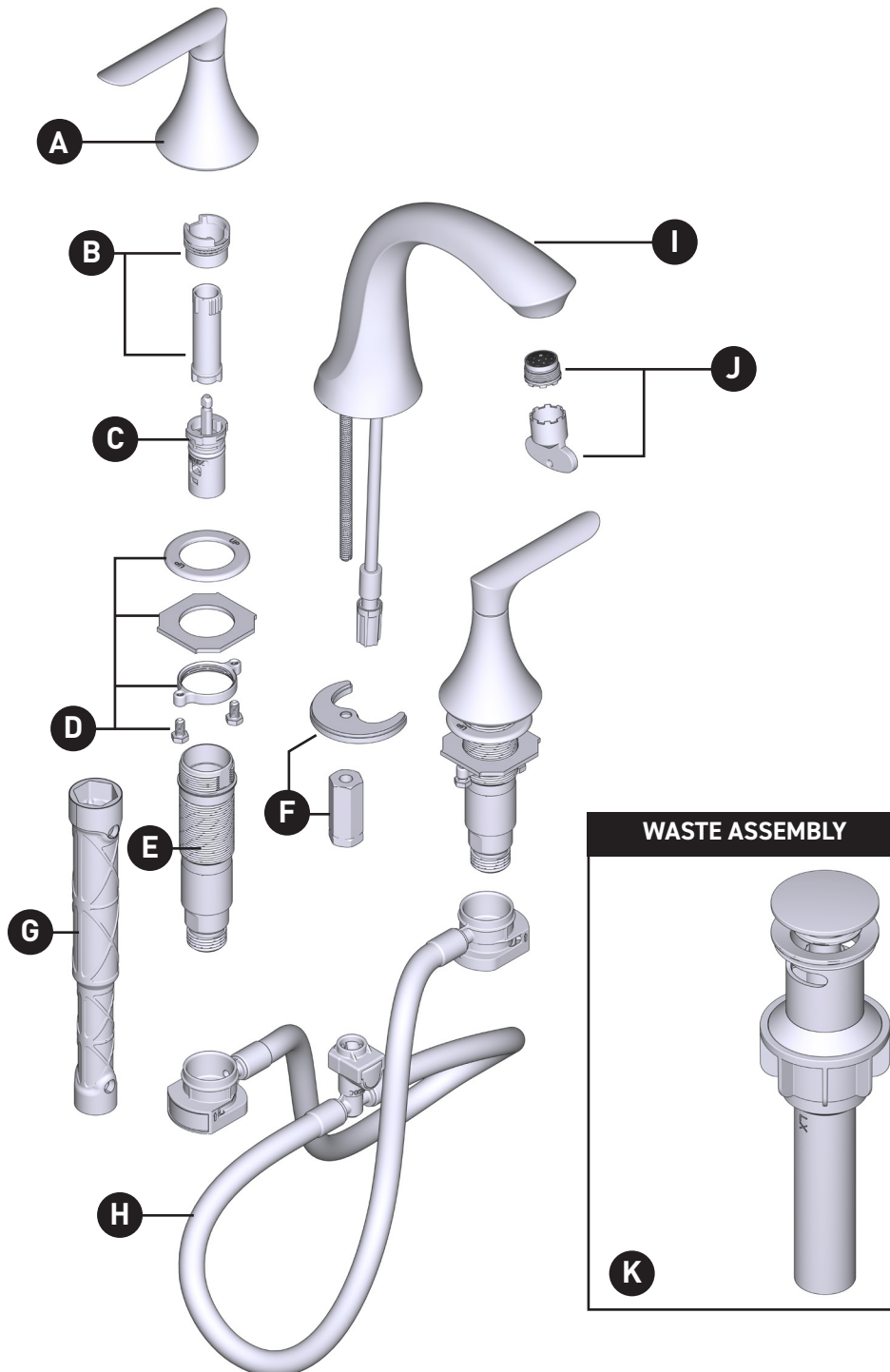
## ILLUSTRATED PARTS

### Findlay™

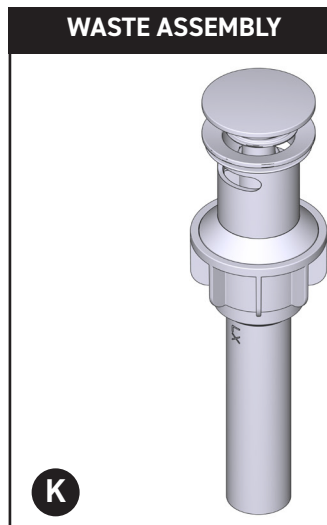
Two-Handle Widespread Lavatory Faucet  
84517 Series

*There is more than one version of this model.  
Page down to identify the version you have.*

#### ORDER BY PART NUMBER



ID	Kit Number	Finish
*A	214035BZG	See Below
	2140345BL	See Below
	214035SRN	See Below
B	174290 (hot & cold)	N/A
C	1234	N/A
D	215997	N/A
E	215996 (Hot)	N/A
	215995 (Cold)	N/A
F	146190	N/A
G	118305	N/A
H	215998	N/A
*I	214036BZG	See Below
	214036BL	See Below
	214036SRN	See Below
J	180158	N/A
*K	186478BZG	See Below
	186478BL	See Below
	186478SRN	See Below



*Finish Determined by Suffix	
Finish	Description
BZG	Bronzed Gold
BL	Matte Black
SRN	Spot Resist Brushed Nickel

# MOEN®

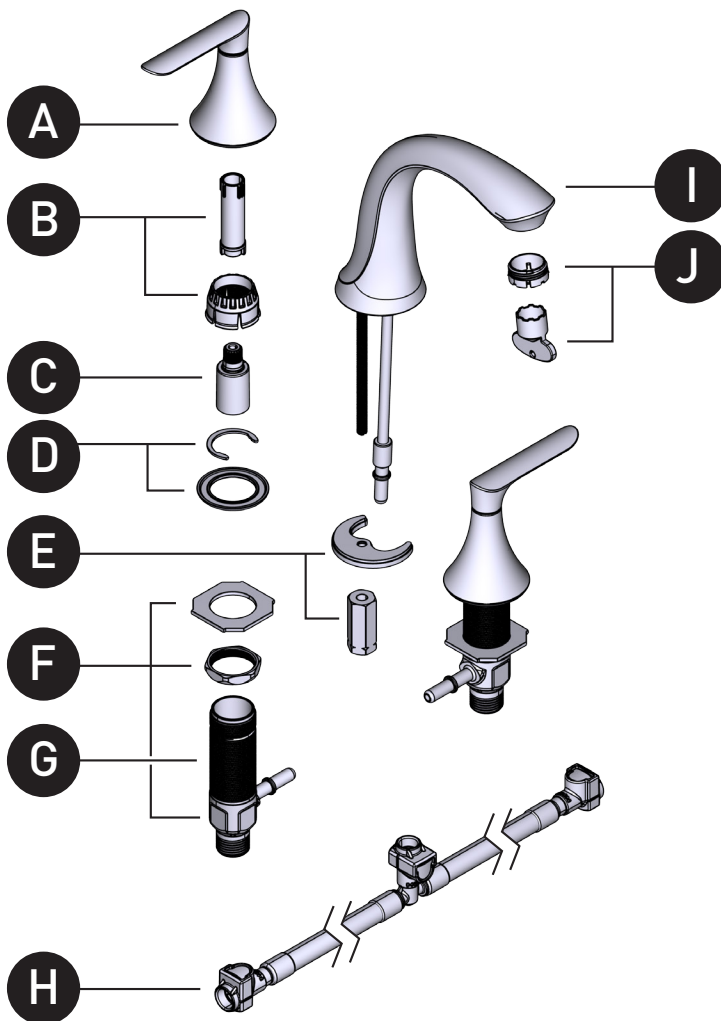
ORDER BY PART NUMBER

## Illustrated Parts

### FINDLAY™

Two-Handle Widespread Lavatory Faucet

MODEL	HANDLE	FINISH
84517SRN	Lever	Spot Resist Brushed Nickel
84517BL	Lever	Matte Black
84517BZG	Lever	Bronzed Gold



ID	Kit Description	Kit Number	Finish
A	Handle Hub Kit - Hot or Cold	214035SRN	Spot Resist Brushed Nickel
		214035BL	Matte Black
		214035BZG	Bronzed Gold
B	Stem Extension Kit - Hot & Cold (Kit includes both)	174290	NA
C	Replacement Cartridge	1234	NA
D	Mounting Hardware	103759	NA
E	Hardware Kit	146190	NA
F	Hardware Package	12715	NA
G	Valve Body Kit	174291 (Cold)	NA
		174292 (Hot)	NA
H	Duralock Hose Kit	114299	NA
I	Spout Assembly Kit	214036SRN	Spot Resist Brushed Nickel
		214036BL	Matte Black
		214036BZG	Bronzed Gold
J	Aerator - Includes Tool	180158	NA
K	Full Assembly	186478SRN	Spot Resist Brushed Nickel
		186478BL	Matte Black
		186478BZG	Bronzed Gold

