

# MOEN®

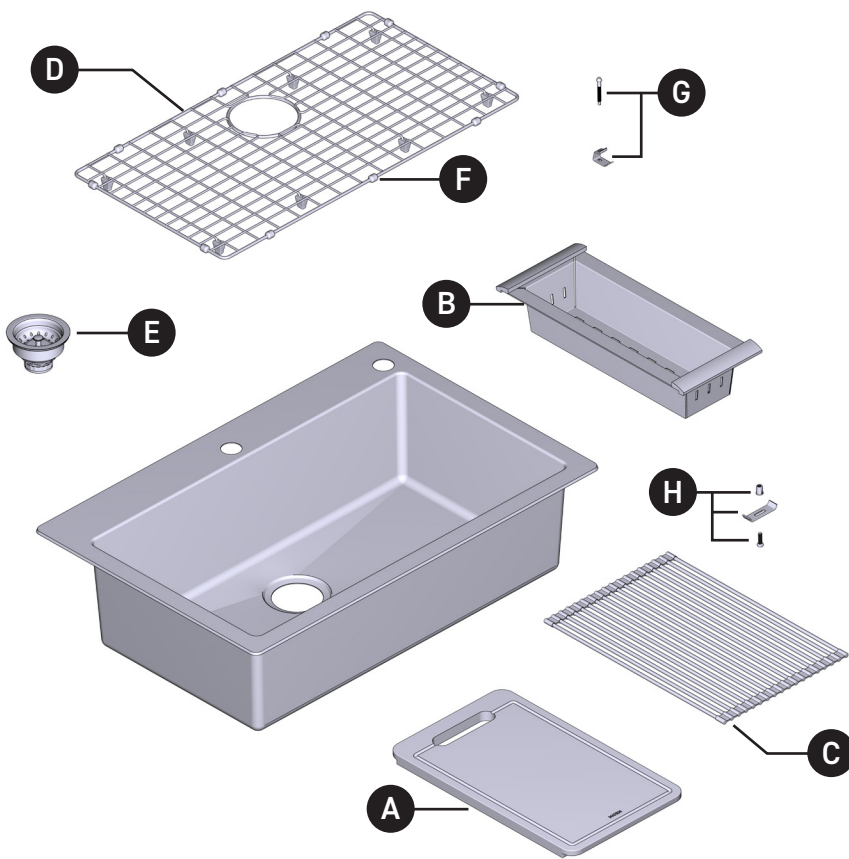
ORDER BY PART NUMBER

## Illustrated Parts

Dualmount Workstation  
Single Bowl Sink

**MODEL**  
GS181012BUX

**TYPE**  
Workstation Sink



ID	Kit Description	Kit Number
A	Cutting Board	210869
B	Colander	212241
C	Drying Rack	212242
D	Sink Grid	209251
E	Strainer with Drain Cover	214327
F	Bumpers for Grid	214351
G	Top Mount Mounting Hardware (x10)	212238
H	Undermount Hardware (x10)	212239