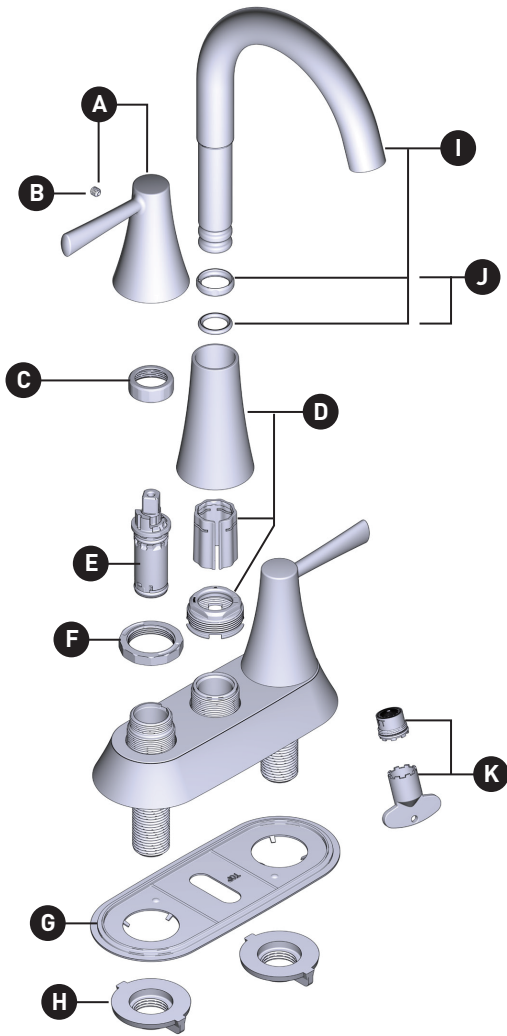


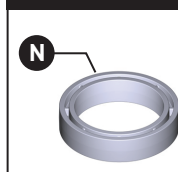
Ronan™ Two-Handle Centerset Lavatory Faucet 84022 Series

ORDER BY PART NUMBER

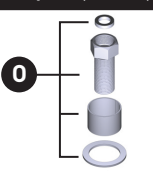


ID	Kit Number	Finish
*A	212913 (Hot)	See below
	212914 (Cold)	See below
B	159198	N/A
C	199932 (x2)	N/A
*D	212616	See below
E	1224	N/A
F	130560 (x2)	N/A
G	212617BL	Matte Black
	212617	(Used for Bronzed Gold & Spot Resist Brushed Nickel)
H	145665 (x2)	N/A
*I	212618	See below
J	103432	N/A
K	181085	N/A
L	186479BL	Matte Black
	186479CSL	(Used for Spot Resist Brushed Nickel)
	186479BZG	Bronzed Gold
M	186478BL	Matte Black
	186478CSL	(Used for Spot Resist Brushed Nickel)
	186478BZG	Bronzed Gold
N	146936 (x2)	N/A
O	100818 (x2)	N/A

Use on decks < 1/4" (6mm)

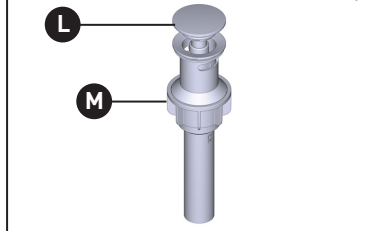


Use on decks > 1-3/16" (30mm)



Waste Assembly

For Waste Service, Order Full Assembly



*Finish Determined by Suffix

Finish	Description
BL	Matte Black
BZG	Bronzed Gold
SRN	Spot Resist Brushed Nickel