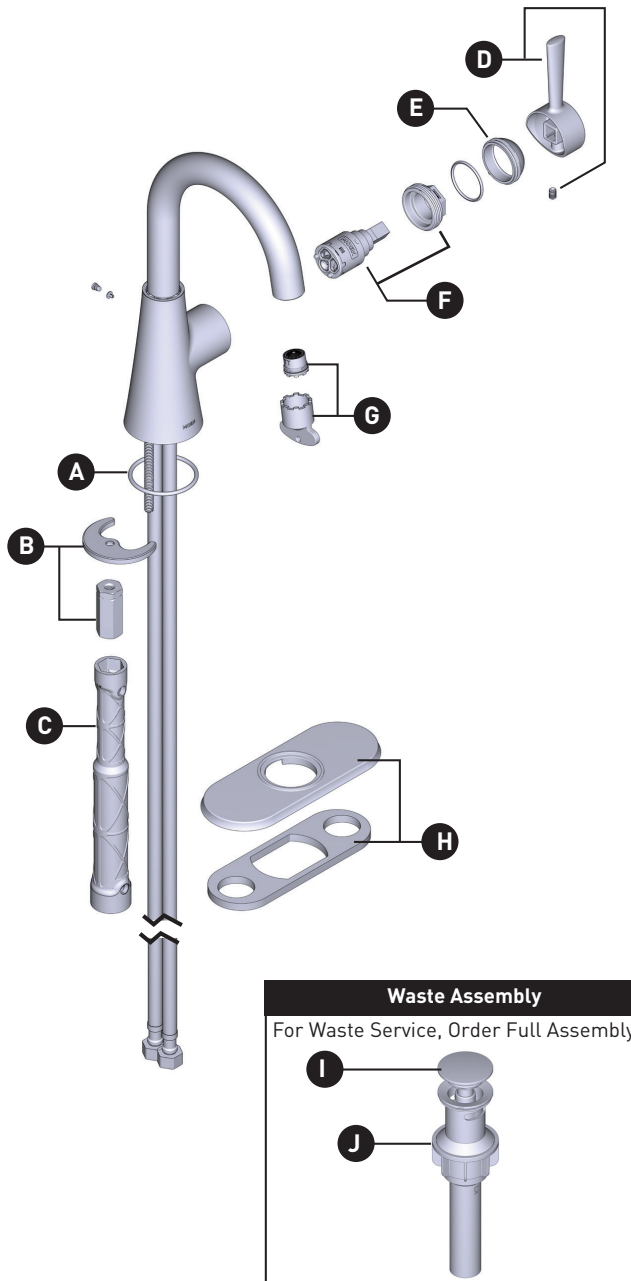


Ronan™ One-Handle Lavatory Faucet 84021 Series

ORDER BY PART NUMBER



ID	Kit Number	Finish
A	212548	N/A
B	146190	N/A
C	118305	N/A
*D	212915	See below
*E	212553	See below
F	212555	N/A
G	180158	N/A
*H	212916	See below
I	186479BL	Matte Black
	186479BZG	Bronzed Gold
	186479CSL	(Used for Spot Resist Brushed Nickel)
J	186478BL	Matte Black
	186478BZG	Bronzed Gold
	186478CSL	(Used for Spot Resist Brushed Nickel)

<u>*Finish Determined by Suffix</u>	
<u>Finish</u>	<u>Description</u>
BL	Matte Black
BZG	Bronzed Gold
SRN	Spot Resist Brushed Nickel