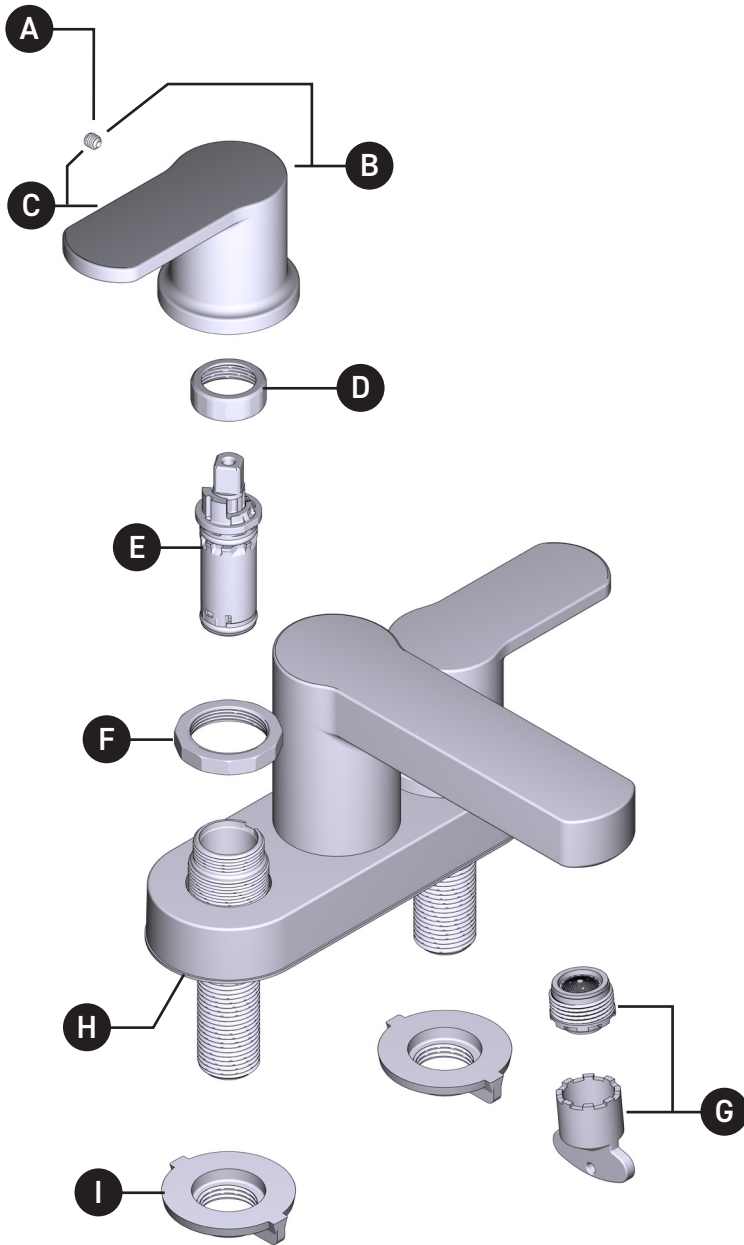


Illustrated Parts

Laris™

Two-Handle Centerset Lavatory Faucet

MODEL	FINISH	NOTES
84015	Chrome	Push-Down Waste



ID	Kit Description	Kit Number	Finish
A	Set Screw <i>(requires 3/32" hex wrench)</i>	155023	N/A
B	Handle Kit-Hot	199931	Chrome
C	Handle Kit-Cold	199932	Chrome
D	Cartridge Nut (2)	97535	N/A
E	Replacement Cartridge	1224	N/A
F	Escutcheon Nut (2)	130560	N/A
F	O-Ring	137515	N/A
G	Aerator Kit <i>(includes Tool)</i>	183732	N/A
H	Deck Gasket	163296	N/A
I	Mounting Nuts (2)	145665	N/A
J	Waste Assembly <i>(Top Only)</i>	186479	Chrome
K	Waste Assembly <i>(Full Assembly)</i>	186478	Chrome
L	Thin Deck Spacer Kit	146936	N/A
M	Thick Deck Extension Kit (2)	100818	N/A

Waste Assembly

For Waste Service, Order Full Assembly

<p>Use on decks < 1/4" (6mm)</p>	<p>Use on decks > 1-3/16" (30mm)</p>