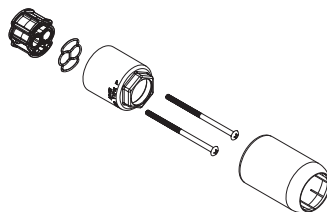


- Order by Part Number
- Trim can be used with U232 Series and U362 Series series valve

FLARA™
M-CORE™ 3-Series Valve Trim
with Integrated Transfer Valve

<u>MODEL</u>	<u>FINISH</u>
UTS2411	Chrome
UTS2411BG	Brushed Gold
UTS2411BN	Brushed Nickel
UTS2411NL	Polished Nickel



Optional 1" Handle Extension Kit

<u>Model</u>	<u>Finish</u>
200755	Chrome
200755BG	Brushed Gold
200755BN	Brushed Nickel
200755NL	Polished Nickel

Diverter Handle Extension Kit:

<u>Model</u>	<u>Finish</u>
200760	All Finishes

