

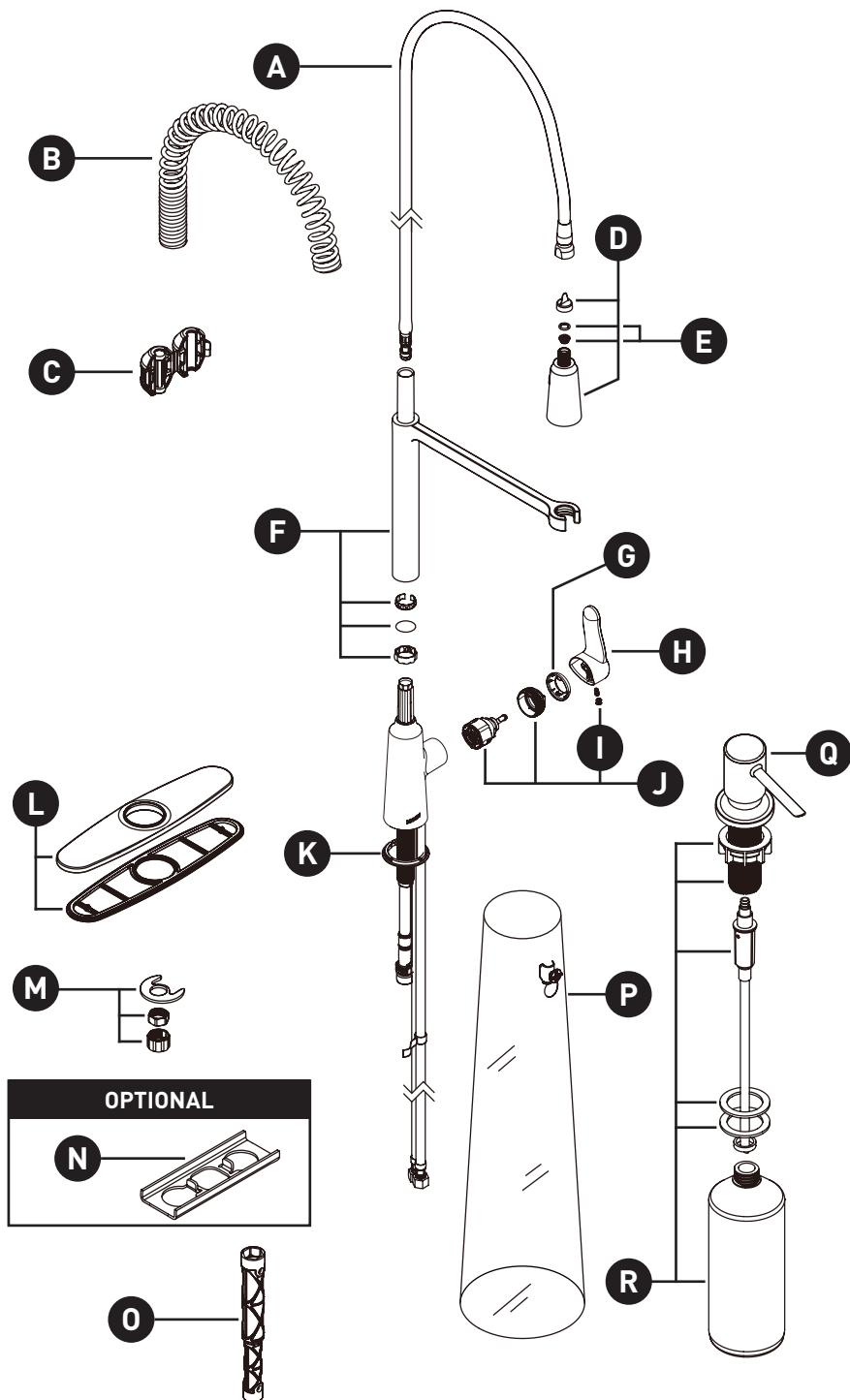
### EDWYN™

Single-Handle Pre-Rinse Spring  
Pull-down Kitchen Faucet

ORDER BY PART NUMBER

**MODEL**  
87807 (Series)

**TYPE**  
Lever



ID	Kit Number	Finish
*A	212650	Chrome
	191751BL	Used for Brushed Gold & Matte Black
	150259CST	Used for Spot Resist Stainless
*B	199097	See below
C	150259	N/A
*D	179574	See below
E	158550	N/A
*F	200699	Chrome
	200699BG	Brushed Gold
	200699BL	Matte Black
	199098SRS	Spot Resist Stainless
*G	179574	See below
*H	160660	See below
I	155023	N/A
J	160657	N/A
*K	158042	Chrome
	158042BL	Used for Brushed Gold, Matte Black & Spot Resist Stainless
*L	141002	See below
M	192155	N/A
N	176787	N/A
O	118305	N/A
P	159060	N/A
*Q	171172	Chrome
	171172BG	Brushed Gold
	171172BL	Matte Black
	171172MSRS	Used for Spot Resist Stainless
R	344113	N/A

**\*Finish Determined by Suffix**

Finish	Description
No Suffix	Chrome
BG	Brushed Gold
BL	Matte Black
SRS	Spot Resist Stainless