

### RINZA™

Single-Handle Tub/Shower Faucet

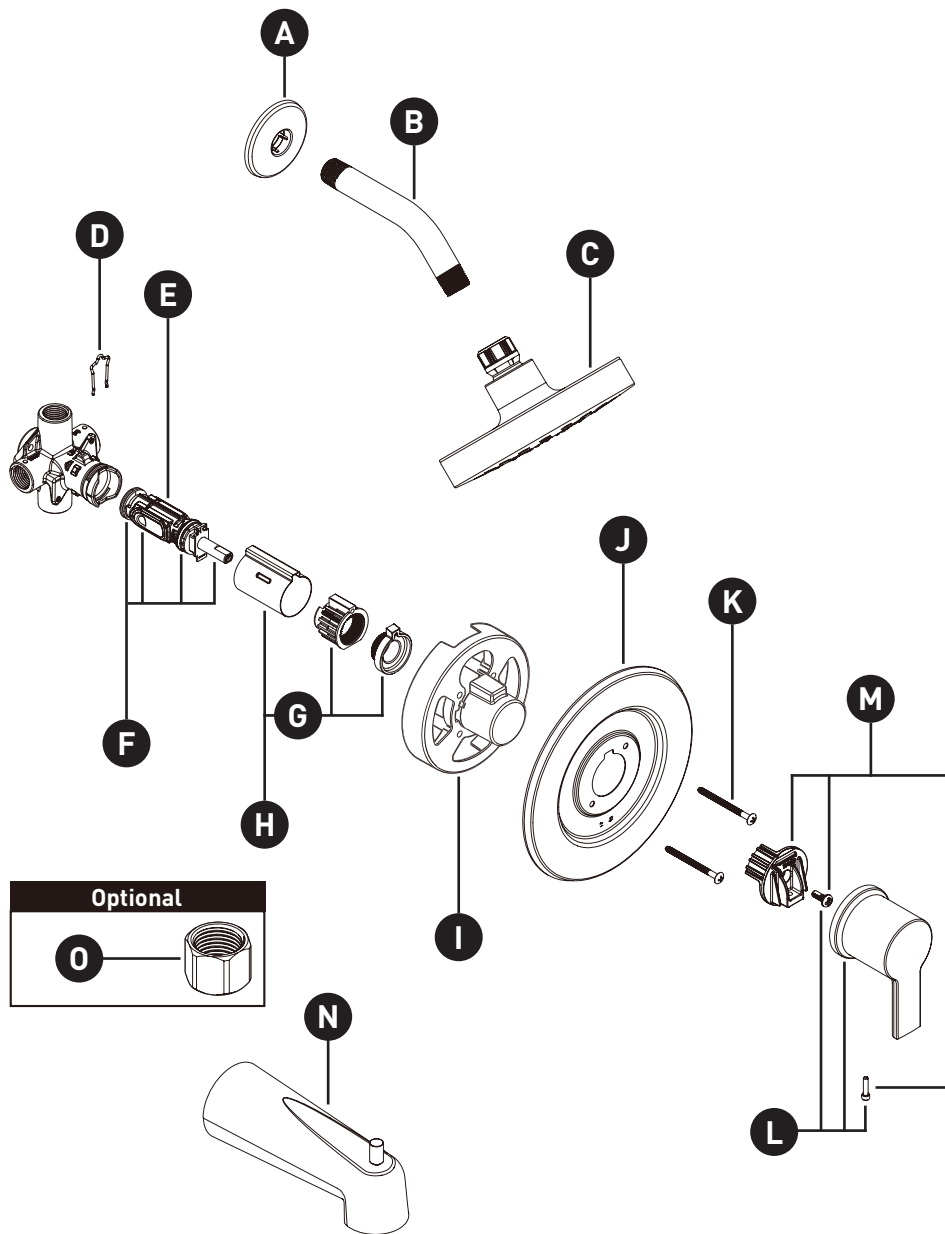
ORDER BY PART NUMBER

**MODEL**

**TYPE**

82628 (Series)

Tub/Shower



ID	Kit Number	Finish
*A	137488	See below
*B	10154	See below
*C	198952	See below
D	96914	N/A
E	1222	N/A
F	96988	N/A
G	106479	N/A
*H	96987	Used for Chrome & Spot Resist Brushed Nickel
	96987WR	Used for Matte Black
	96987NL	Nickel
I	12574	N/A
*J	174333	See below
*K	15528 (x2)	Chrome
	163BN (x2)	Used for Spot Resist Brushed Nickel
	163WR (x2)	Used for Matte Black
	163NL (x2)	Nickel
*L	198951	See below
M	116653	N/A
*N	198950	See below
O	188411	N/A

**\*Finish Determined by Suffix**

Finish	Description
No Suffix	Chrome
BL	Matte Black
BZG	Bronzed Gold
NL	Nickel
SRN	Spot Resist Brushed Nickel