

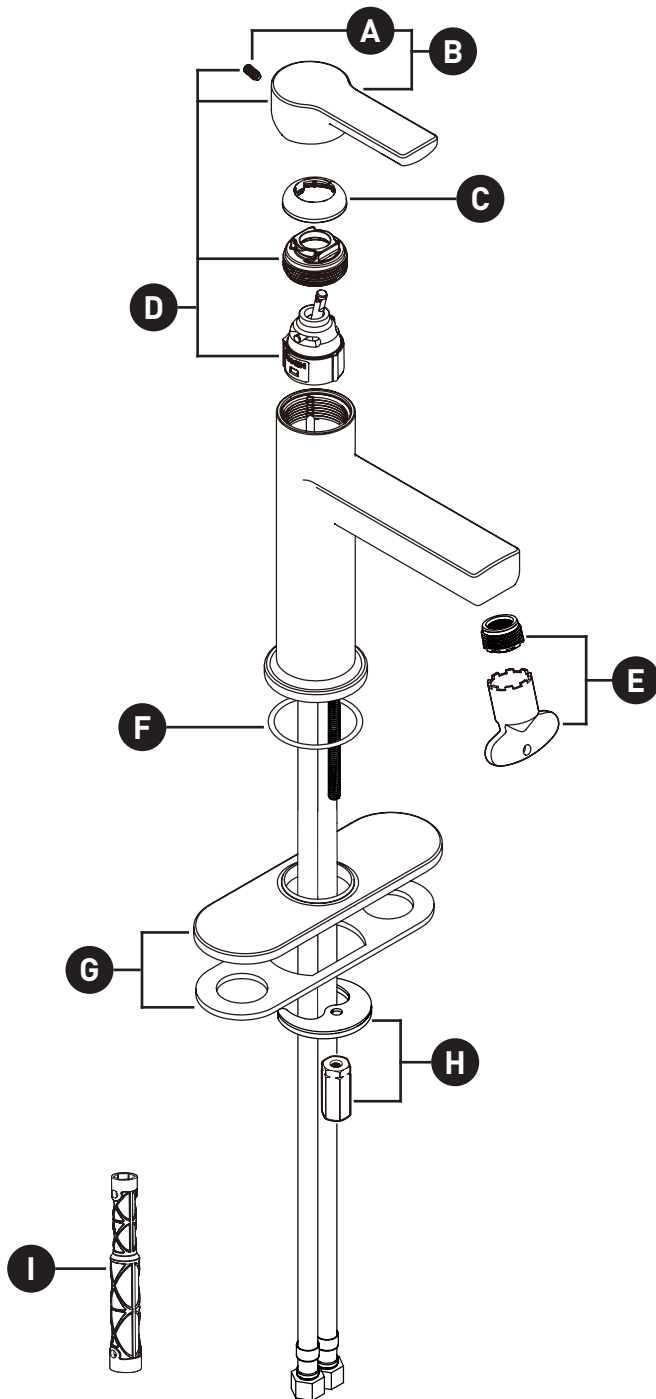
### RINZA™

Single-Handle Lavatory Faucet

#### ORDER BY PART NUMBER

**MODEL**  
84627 (Series)

**NOTES**  
Spring-Loaded Waste



ID	Kit Number	Finish
A	159195	N/A
*B	198949	See below
*C	160660	See below
D	160657	N/A
E	183732	N/A
F	150567	N/A
*G	172666	See below
H	146190	N/A
I	118305	N/A
*J	186478	Chrome
	186478CSL	Used for Spot Resist Brushed Nickel
	186478BL	Matte Black
	186478BZG	Bronzed Gold
	186478NL	Nickel

**\*Finish Determined by Suffix**

Finish	Description
No Suffix	Chrome
BL	Matte Black
BZG	Bronzed Gold
NL	Nickel
SRN	Spot Resist Brushed Nickel

#### WASTE ASSEMBLIES

For Waste Service Order Full Assembly

