

LINDOR™ POSI-TEMP®

Single-Handle Tub/Shower

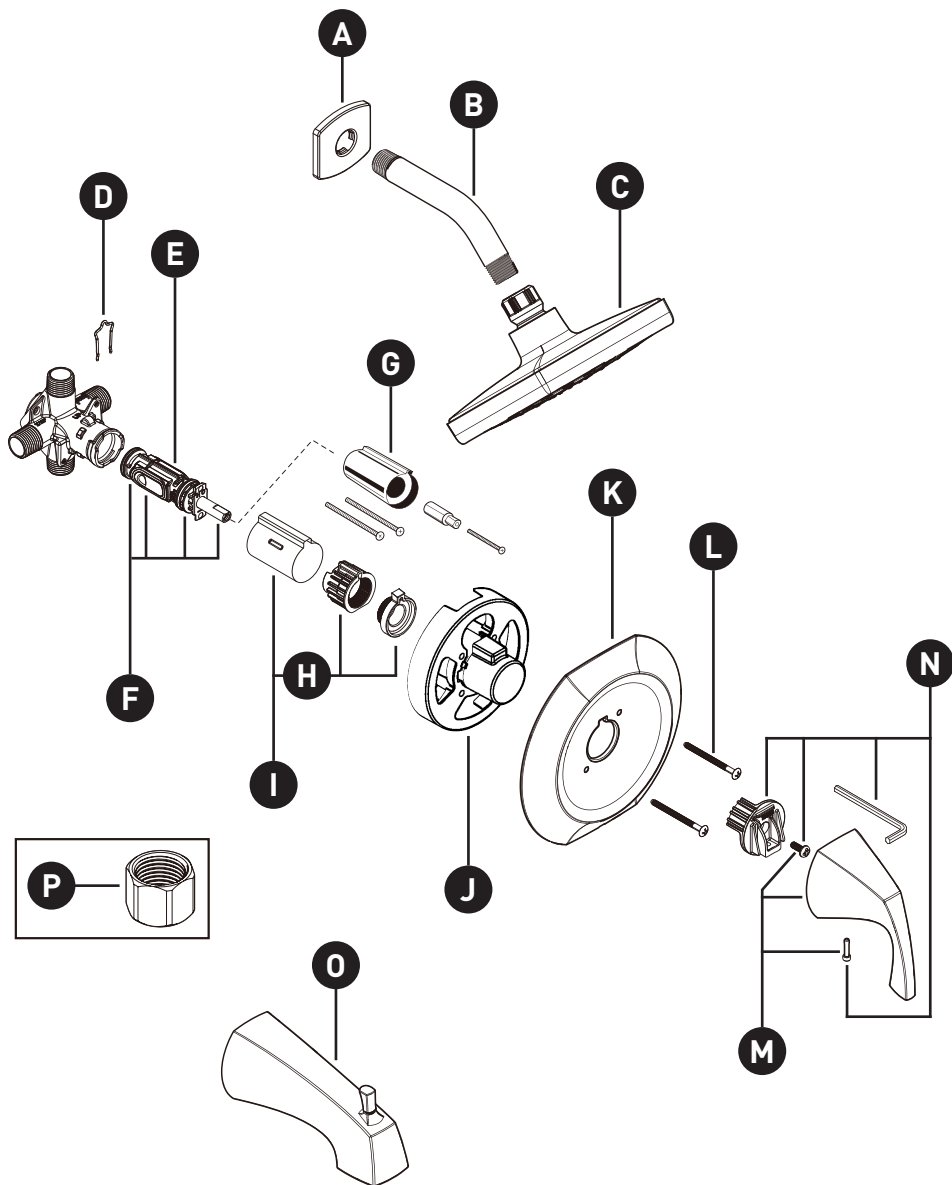
ORDER BY PART NUMBER

TUB/SHOWER

MODEL
82504 (Series) **TYPE**
Lever

SHOWER ONLY

MODEL
82506 (Series) **TYPE**
Lever



ID	Kit Number	Finish
*A	179834	See below
*B	10154	See below
*C	183123	See below
D	96914	N/A
E	1222	N/A
F	96988	N/A
*G	96945	See below
H	106479	N/A
*I	96987	Used for Chrome & Spot Resist Brushed Nickel
	96987BG	Brushed Gold
	96987WR	Used for Matte Black
J	12574	N/A
*K	191113	See below
*L	15528 (x2)	Chrome
	163BG (x2)	Brushed Gold
	163BN (x2)	Used for Spot Resist Brushed Nickel
	163WR (x2)	Used for Matte Black
*M	191112	See below
N	116653	N/A
*O	191114	See below
P	188411	N/A

*Finish Determined by Suffix

Finish	Description
No Suffix	Chrome
BG	Brushed Gold
BL	Matte Black
SRN	Spot Resist Brushed Nickel