

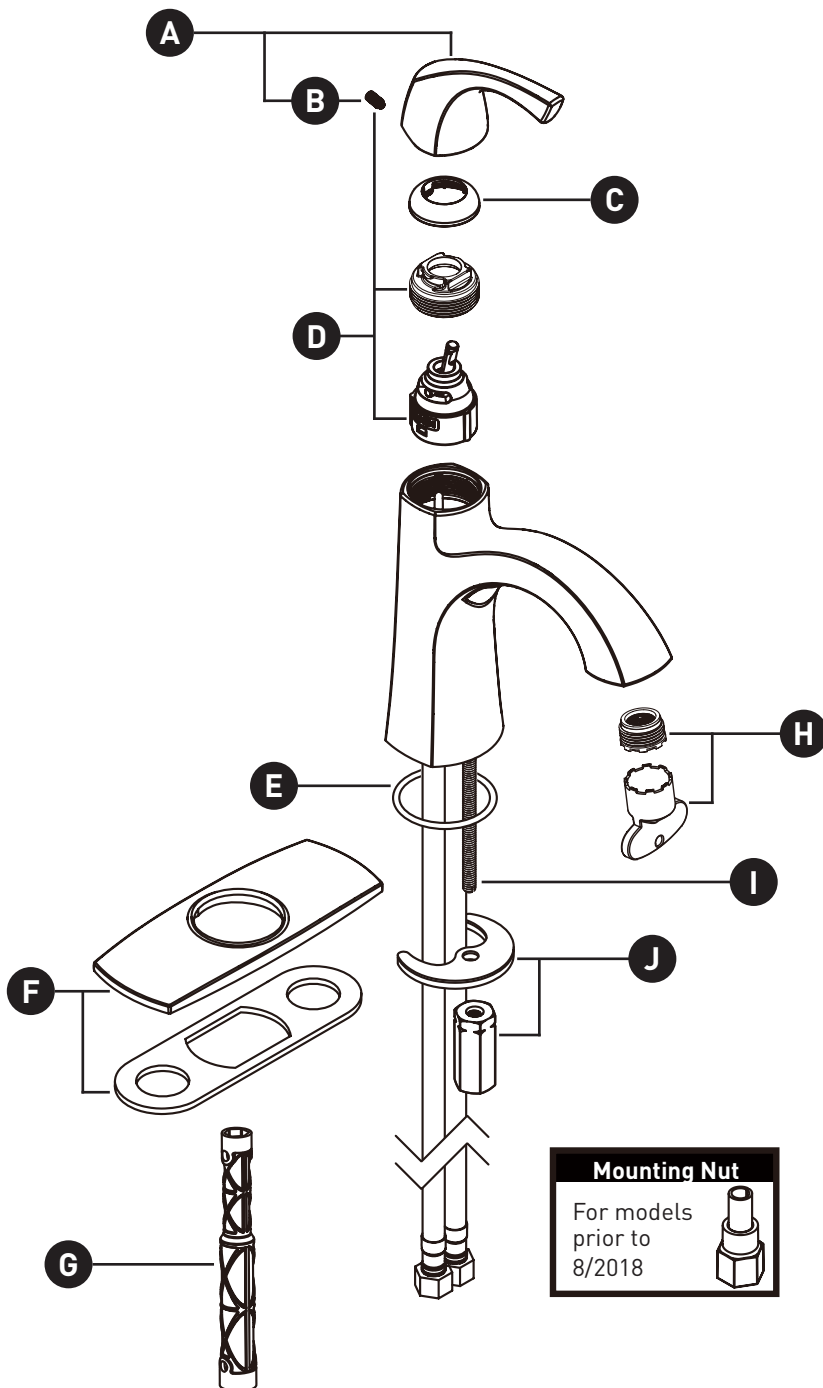
### LINDOR™

One-Handle Lavatory Faucet

ORDER BY PART NUMBER

**MODEL**  
84505 (Series)

**TYPE**  
Lever



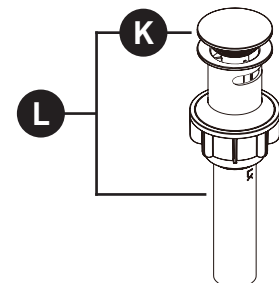
ID	Kit Number	Finish
*A	191139	See below
B	155023	N/A
*C	160660	See below
D	160657	N/A
E	150567	N/A
*F	161919	See below
G	118305	N/A
H	181078	N/A
I	161259	N/A
J	168809	N/A
*K	186479	Chrome
	186479BG	Brushed Gold
	186479BL	Matte Black
	186479CSL	Classic Stainless
*L	186478	Chrome
	186478BG	Brushed Gold
	186478BL	Matte Black
	186478CSL	Classic Stainless

**\*Finish Determined by Suffix**

Finish	Description
No Suffix	Chrome
BG	Brushed Gold
BL	Matte Black
SRN	Spot Resist Brushed Nickel

**WASTE ASSEMBLIES**

For Waste Service Order Full Assembly



**Mounting Nut**  
For models prior to 8/2018