

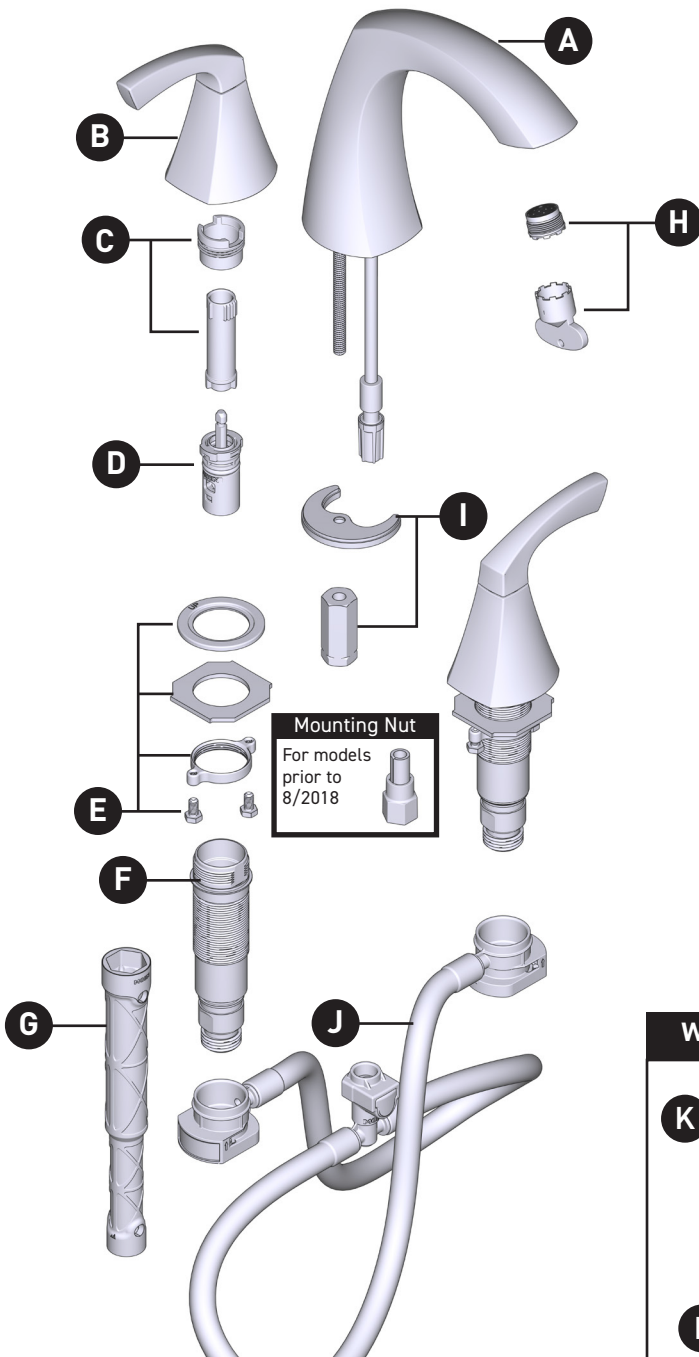
MOEN®

ILLUSTRATED PARTS LINDOR™

Two-Handle Widespread Lavatory Faucet
84504

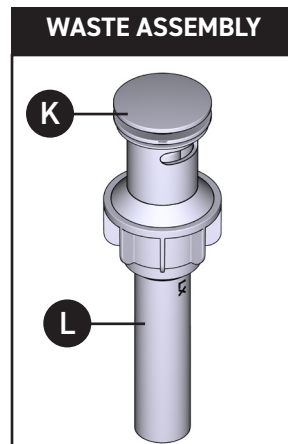
*There is more than one version of this model.
Page down to identify the version you have.*

ORDER BY PART NUMBER



ID	Kit Number	Finish
*A	180890	See Below
	180890BL	See Below
	180890SRN	See Below
*B	180889	See Below
	180889BL	See Below
	180889SRN	See Below
C	174290	N/A
D	1234	N/A
E	215997	N/A
F	215996 (Hot)	N/A
	215995 (Cold)	N/A
G	118305	N/A
H	180158	N/A
I	146190	N/A
J	215998	N/A
*K	186479	See Below
	186479BL	See Below
	186479SRN	See Below
*L	186478	See Below
	186478BL	See Below
	186478SRN	See Below

*Finish Determined by Suffix	
Finish	Description
(base kit # = C)	Chrome
<i>(only applicable to *kits)</i>	Matte Black
BL	Spot Resist Brushed Nickel
SRN	

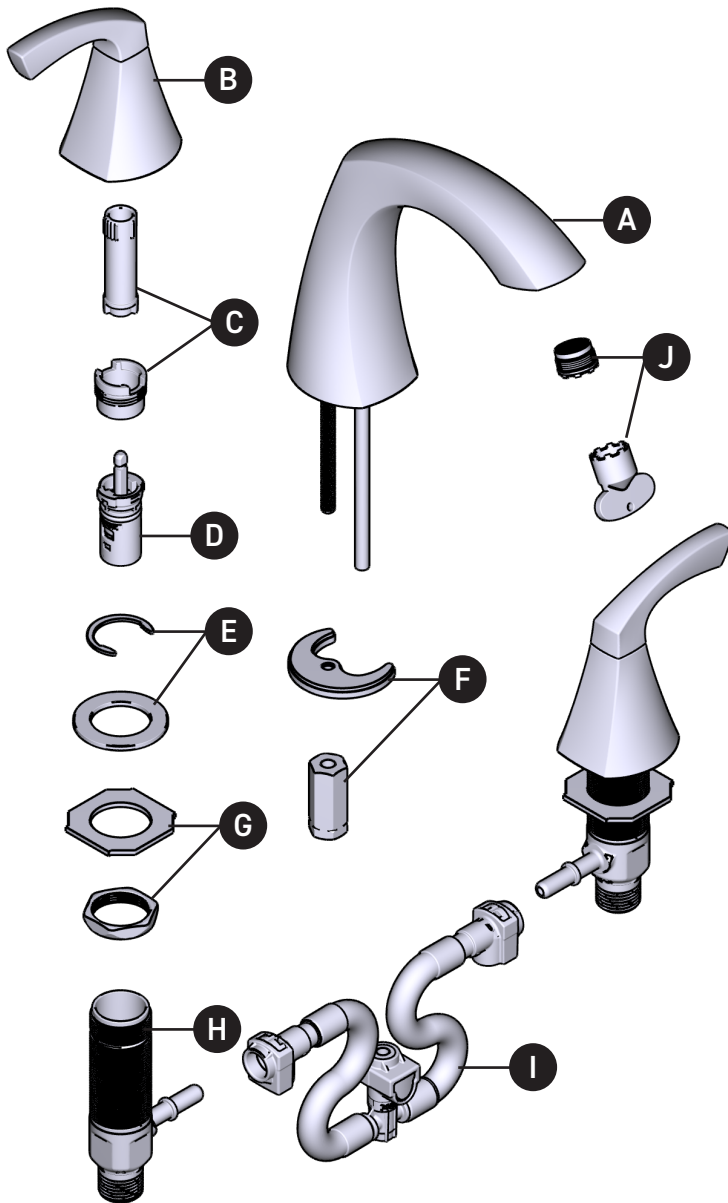


MOEN®

ILLUSTRATED PARTS

LINDOR™

Two-Handle Widespread Lavatory Faucet
84504



ID	Kit Number	Finish
*A	180890	See Below
	180890BL	See Below
	180890SRN	See Below
*B	180889	See Below
	180889BL	See Below
	180889SRN	See Below
C	174290	N/A
D	1234	N/A
E	103759	N/A
F	146190	N/A
G	12715	N/A
H	174291 Cold	N/A
	174292 Hot	N/A
I	114299	N/A
J	180158	N/A
*K	186478	See Below
	186478BL	See Below
	186478SRN	See Below
*L	186479	See Below
	186479BL	See Below
	186479SRN	See Below

***Finish Determined by Suffix**

Finish	Description
(base kit # = C)	Chrome
(only applicable to * kits)	Matte Black
BL	Spot Resist Brushed Nickel
SRN	

WASTE ASSEMBLY

