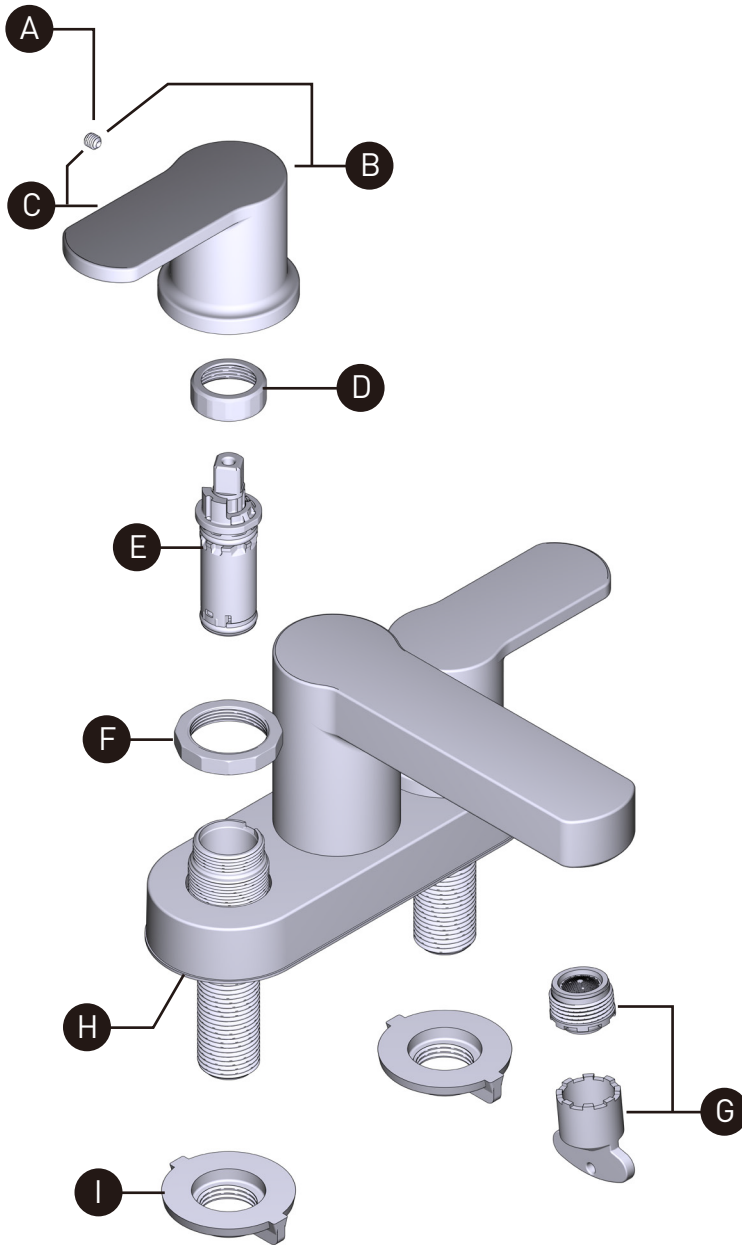


## Illustrated Parts

### Laris™

#### Two-Handle Centerset Lavatory Faucet

MODEL	HANDLE	FINISH
84015	Lever	Chrome
84015BL	Lever	Matte Black
84015	Lever	Spot Resist Brushed Nickel



ID	Kit Description	Kit Number	Finish
A	Set Screw (requires 3/32" hex wrench)	155023	N/A
B	Handle Kit-Hot	199931	Chrome
		199931BL	Matte Black
		199931SRN	Spot Resist Brushed Nickel
C	Handle Kit-Cold	199932	Chrome
		199932BL	Matte Black
		199932SRN	Spot Resist Brushed Nickel
D	Cartridge Nut (2)	97535	N/A
E	Replacement Cartridge	1224	N/A
F	Escutcheon Nut (2)	130560	N/A
F	O-Ring	137515	N/A
G	Aerator Kit (includes Tool)	183732	N/A
H	Deck Gasket	163296	N/A
I	Mounting Nuts (2)	145665	N/A
J	Waste Assembly (Top Only)	186479	Chrome
		186479BL	Matte Black
		186479CSL	use for Spot Resist Brushed Nickel
K	Waste Assembly (Full Assembly)	186478	Chrome
		186478BL	Matte Black
		186478CSL	use for Spot Resist Brushed Nickel
L	Thin Deck Spacer Kit	146936	N/A
M	Thick Deck Extension Kit (2)	100818	N/A

