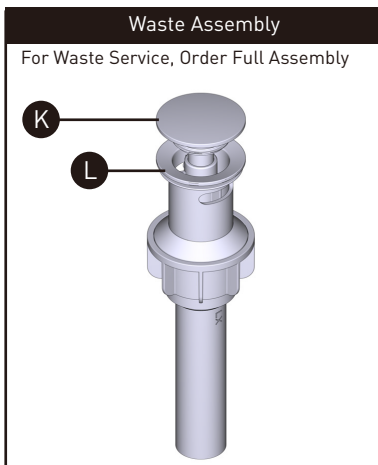
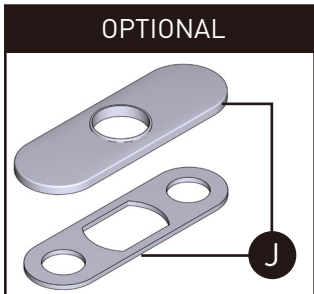
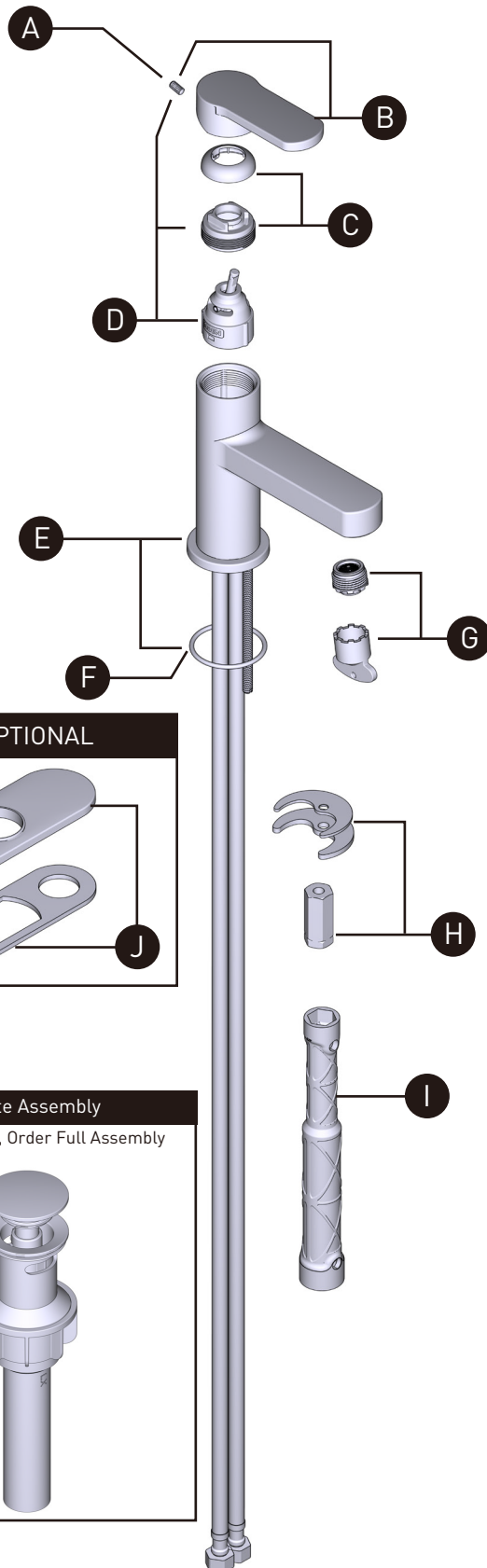


## Illustrated Parts

### Laris™

#### One-Handle Lavatory Faucet

MODEL	HANDLE	FINISH
84014	Lever	Chrome
84014 BL	Lever	Matte Black
84014 SRN	Lever	Spot Resist Brushed Nickel



ID	Kit Description	Kit Number	Finish
A	Set Screw (requires 3/32" hex wrench)	155023	N/A
B	Handle Kit	199929	Chrome
		199929BL	Matte Black
		199929SRN	Spot Resist Brushed Nickel
C	Handle Dome	160660	Chrome
		160660BL	Matte Black
		160660SRS	use for Spot Resist Brushed Nickel
D	Cartridge, Cart. Nut & Set Screw	160657	N/A
E	Escutcheon & O-Ring	172668	Chrome
F	O-Ring	137515	N/A
G	Aerator Kit (includes Tool)	183732	N/A
H	Hardware Kit	146190	N/A
I	Installation Tool	118305	N/A
J	Escutcheon Kit	172666	Chrome
		172666BL	Matte Black
		172666SRN	Spot Resist Brushed Nickel
K	Waste Assembly (Top Only)	186479	Chrome
		186479BL	Matte Black
		186479CSL	use for Spot Resist Brushed Nickel
L	Waste Assembly (Full Assembly)	186478	Chrome
		186478BL	Matte Black
		186478CSL	use for Spot Resist Brushed Nickel