

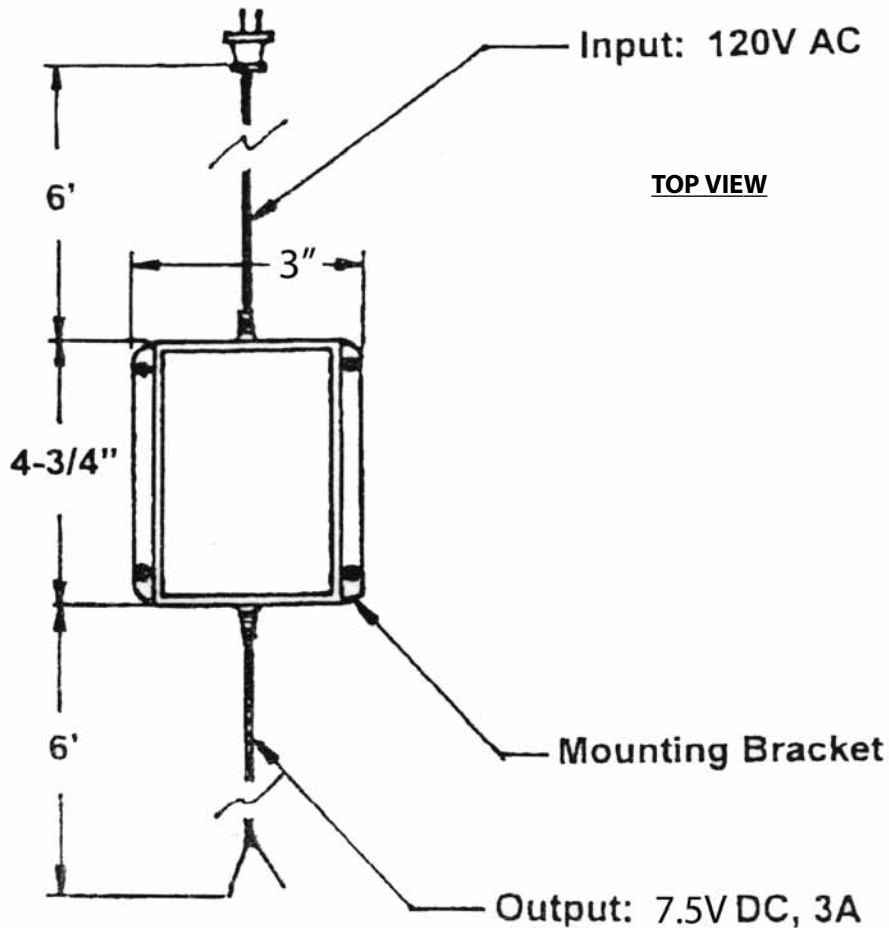
■ Order by Part Number

Illustrated Parts

Multi-Unit Power AC Adapter & 24" Wire Lead

Model	Description
104408	120V AC Multi Unit Adapter

Warning: Do not touch leads (+ -) together while unit is plugged in. Unit will fail and warranty will be voided.



104408 120V AC Multi Unit Adapter