

Home Care Technical Specification

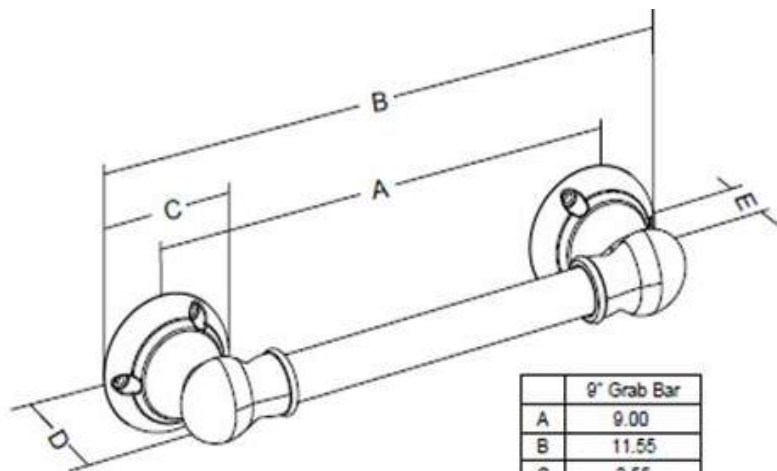
Banbury Hand Grip

YG2609

Stock Numbers:

- ❑ YG2609BN – 9” Hand Grip
Brushed Nickel Finish
Exposed Screw
- ❑ YG2609CH– 9” Hand Grip
Chrome Finish
Exposed Screw

Dimensions:



	9" Grab Bar
A	9.00
B	11.55
C	2.55
D	2.50
E	1.60

Materials:

The **bar** is made from Stainless Steel and the **posts** are Zinc.

Installation Instructions:

1. Locate stud
 2. Position assembled unit on wall in desired location
 3. Mark starter holes
 4. Drill (6) 1/8 inch diameter holes
 5. Mount assembled unit on wall using 2" screws (provided)
- Note: Wood blocking is preferable behind all wall surfaces

Stock Number: _____ Bath Grip
By Moen



Buy it for looks. Buy it for life.®

25300 AL MOEN DRIVE • NORTH OLMSTED, OH 44070
CORPORATE HEADQUARTERS: (800) 321-8809 • FAX: (800) 848-6636
INTERNATIONAL: (440) 962-2000 • FAX: (440) 962-2726
CUSTOMER SERVICE (USA): 800-882-0116 • FAX: (888) 379-2720
WWW.MOEN.COM

©Moen