

DESCRIPTION

- Brass Construction
- 2 Function / 3 Function Transfer Valve
- 1/2" CC/IPS Connections Only


OPERATION

- Detents at each flow position
- The valve is factory set for 2 independent showering devices but can be adjusted to accommodate 3 independent showering devices

CARTRIDGE

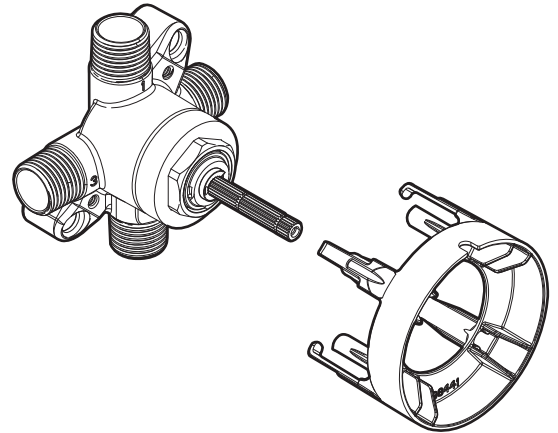
- Ceramic disk cartridge

STANDARDS

- Third party certified to meet ASME A112.18/CSA B125.1 and all applicable requirements therein
- ADA  for lever handle

WARRANTY

- Ten (10) year limited warranty against defects in materials and manufacturing workmanship
- Refer to the installation instructions enclosed with each CFG product or call 1-888-450-5522 for complete warranty information



CFG®

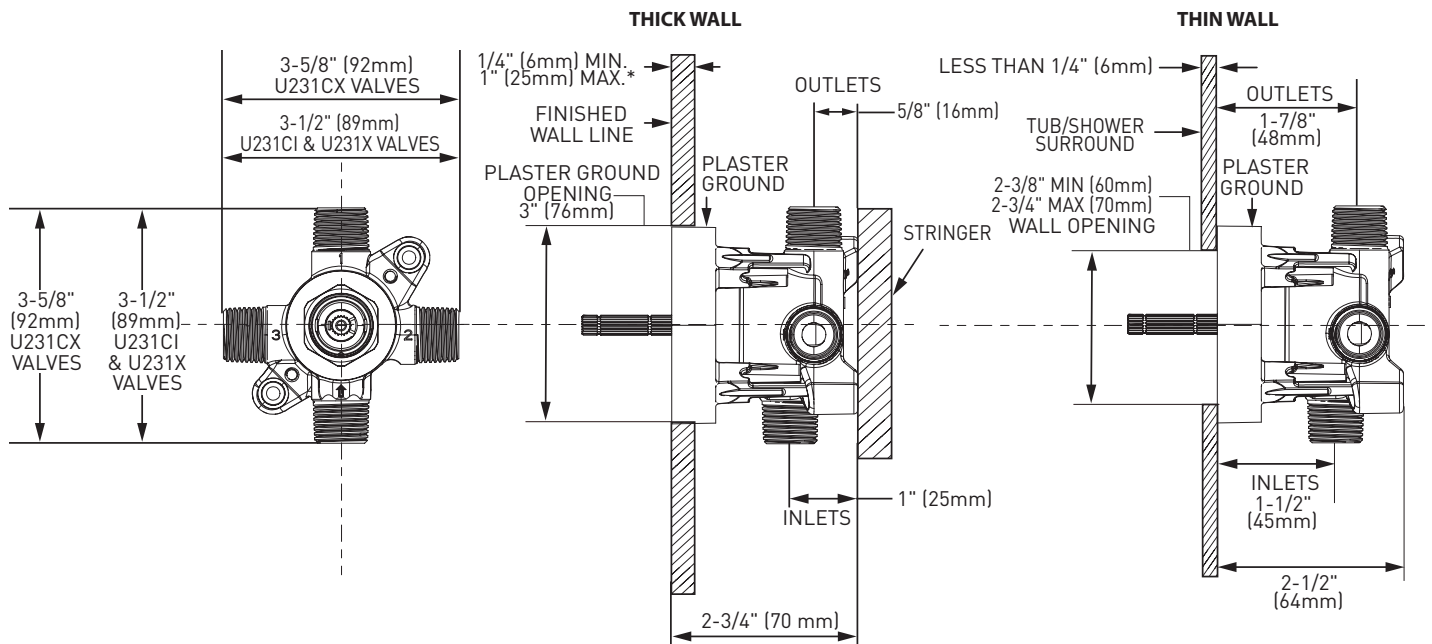
2F/3F Transfer Valve CC/IPS

MODELS

51323

CONNECTION

CC IPS



* Walls thicker than 1" (25mm) require optional extension kit.