

## DESCRIPTION

- ADA compliant operation
- Metal construction with various finishes identified by suffix

## OPERATION

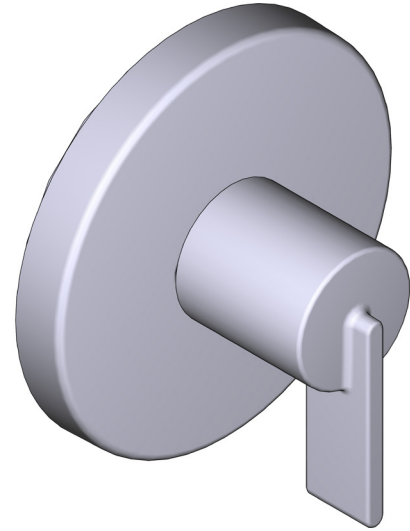
- Lever style handle
- Detents at each flow position
- Rotary 360° handle operation when used with 3 showering devices
- Rotary 120° handle operation when used with 2 showering devices

## STANDARDS

- Third party certified to meet ASME A112.18/CSA B125.1 and all applicable requirements therein
- ADA for lever handle

## WARRANTY

- Lifetime limited warranty against leaks, drips and finish defects to the original homeowner
  - 10 year limited warranty when used in a multifamily installation
  - 5 year limited warranty when used in a commercial installation
- Visit [www.moen.com/support](http://www.moen.com/support) for complete details and limitations



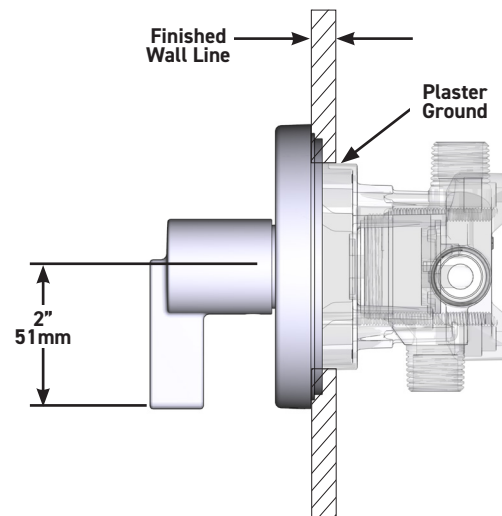
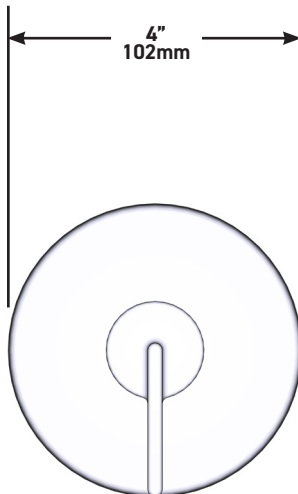
**CIA™**

M-CORE™ Transfer Valve Trim Kit

**MODELS:** UT4620 series

## NOTE:

**Valves: U231 series, U361 series**



**CRITICAL DIMENSIONS** DO NOT SCALE