

## PRODUCT DESCRIPTION

- Manual exposed urinal flushometer with brass angle stop valve
- Cast brass construction with chrome electroplated finish
- Chloramines resistant seals
- 3/4" IPS inlet supply
- 3/4" top spud
- High back pressure vacuum breaker
- ADA compliant handle with dual o-ring seals
- All flush valves are intended for use with compatible flush volume fixtures as specified by the fixture manufacturer. WaterSense® labeled flush valves should be used with a WaterSense® labeled fixture that has a compatible flush volume to ensure complete system performance.

## OPERATION

- Operating pressures: 15 to 120 psi
- AccuSet™ piston technology
- Self-cleaning filter


## FLOW

- **8312M10** (1.0 gpf/3.8 lpf)
- **8312M05** (0.5 gpf/1.9 lpf) - **WaterSense® certified**
- **8312M0125** (0.125 gpf/0.5 lpf) - **WaterSense® certified**
- **8314M10** (1.0 gpf/3.8 lpf) - 1-1/4" top spud

## STOP VALVE

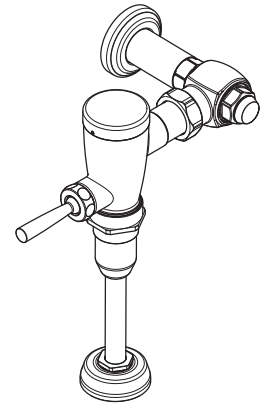
- 3/4" IPS vandal resistant control stop
- Solid brass with chloramines resistant face seal

## STANDARDS

- Third party certified to meet: ASSE1037 / ASME A112.1037 / CSA125.37, ASME A112.19.2 / CSA B45.1 and all applicable requirements referenced therein
- BAA
- **ADA** 

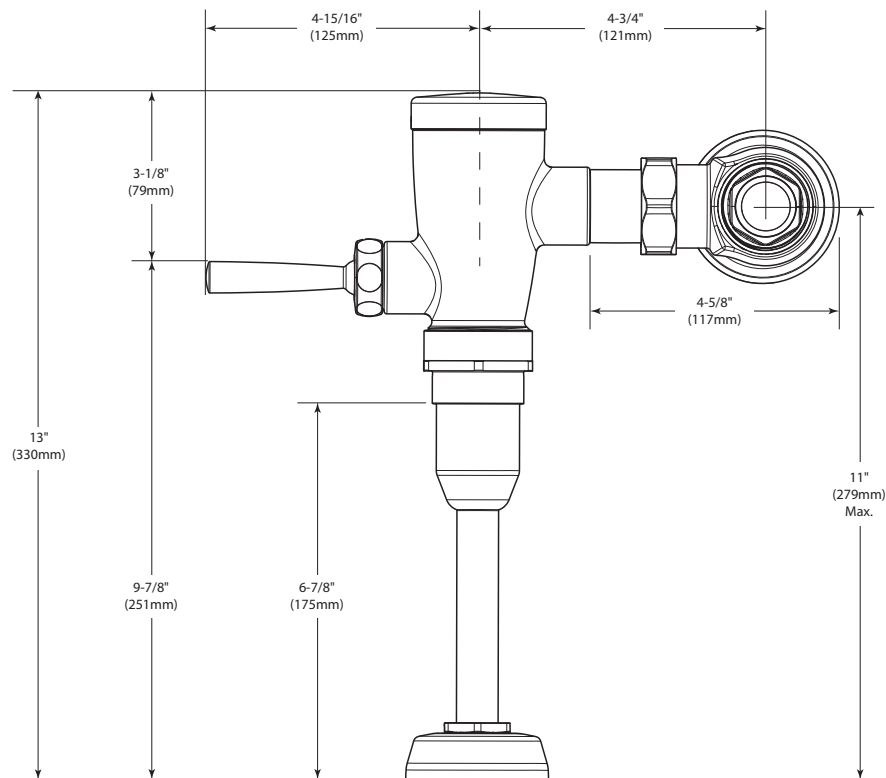
## WARRANTY

- Warranted for 5 years against material or manufacturing defects



## 3/4" Manual Exposed Style Urinal Flush Valve

**Models:** 8312M10, 8312M05, 8312M0125, 8314M10



## CRITICAL DIMENSIONS

(DO NOT SCALE)