

Hotel / Motel Technical Specification

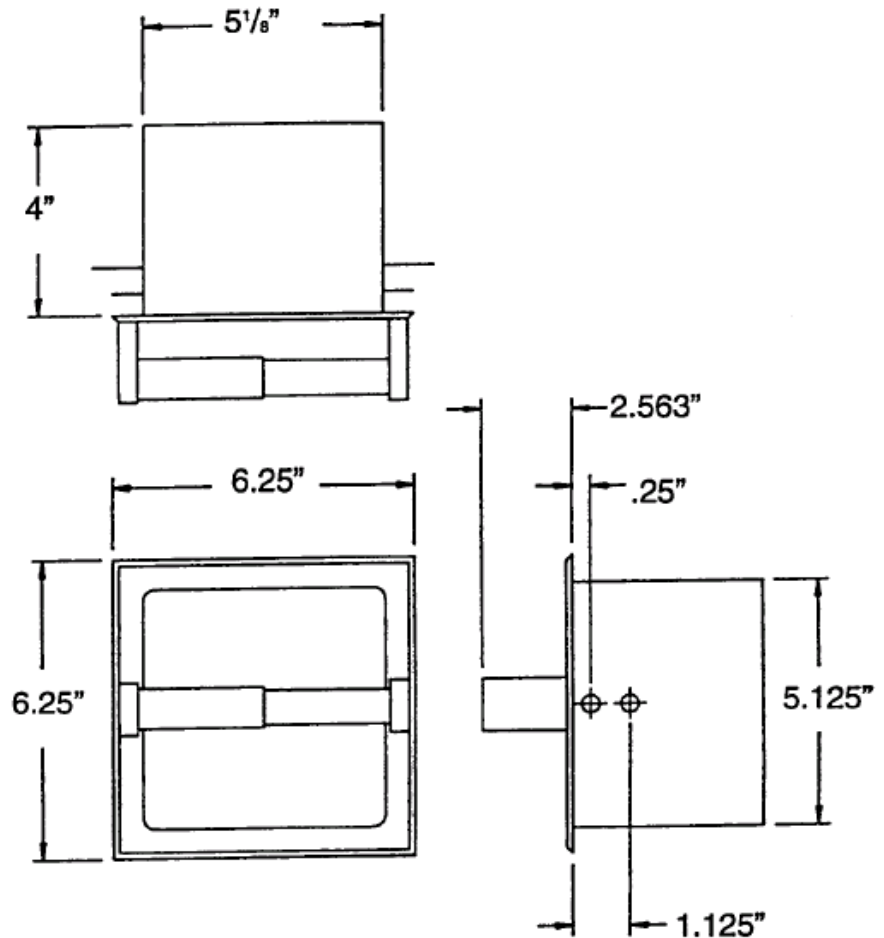
Extra Roll Recessed Paper Holder

5571

Stock Numbers:

- 5571 – Extra Roll Recessed Paper Holder
Polished Chrome Finish
White Roller

Dimensions:



Materials:

ALL CHROME BATH HARDWARE IS TRIPLE PLATED WITH COPPER, NICKEL AND CHROMIUM FOR LONG LASTING BEAUTY, AND MEET ASTM-B86 STANDARDS.

Recessed Paper Holder container is made of galvanized sheet steel. Exposed frame and posts are cast from highest quality zinc alloy (zamac). Castings have a triple plated polished chrome finish. Rollers are plastic and spring loaded.

Installation Instructions:

Cut out wall opening 5.25" x 5.25" x 4" depth. If wood blocking is available, install recessed shell into opening using stainless steel screws provided.

Stock Number: _____ **Extra Roll Holder**
By Creative Specialties



25300 AL MOEN DRIVE • NORTH OLMS TED, OH 44070
CORPORATE HEADQUARTERS: (800) 321-8809 • FAX: (800) 848-6636
INTERNATIONAL: (440) 962-2000 • FAX: (440) 962-2726
CUSTOMER SERVICE (USA): 800-882-0116 • FAX: (888) 379-2720
WWW.MOEN.COM

©Copyright Creative Specialties International

Literature #BA1662