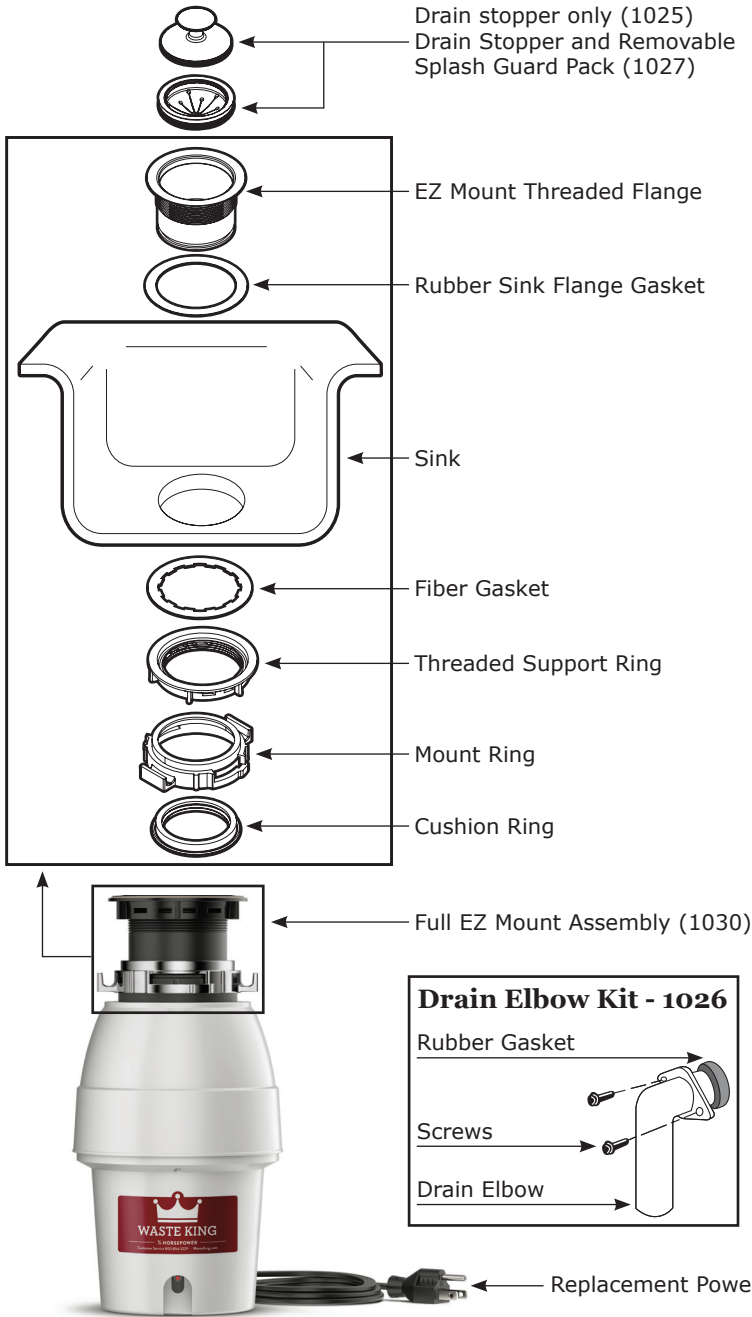



# Illustrated Parts for L-2600

## WASTE KING

### Included Parts



### Other Available Accessories




**Air Switch Remote Controller**

- Installs into existing sink hole (1-3/8") to operate disposer with plunger air switch.
- Perfect application for island counter tops or where electrical switch is unavailable.
- Plug-in: No wiring connections (continuously powered outlet required).

Air Switch Base Unit	
Air Switch Remote Controller	ARC-4200
Additional Air Switch Button Finish Options:	
Chrome	AS-4201-CH
Satin Nickel	AS-4201-SN
Polished Brass	AS-4201-BR
White	AS-4201-WH
Almond	AS-4201-AL
Biscuit	AS-4201-BIS

Dishwasher Connector Kit - (connects 1-1/4", 1" and 3/4" outside diameter dishwasher drain hoses to the dishwasher inlet)



**1023**

Unjamming Wrench



**1037**

Disposal purchase comes with all Included Parts,  
 Other Available Accessories can be purchased separately