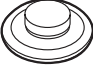





■ **Order by Part Number**


Stopper - Polished Stainless
1011 

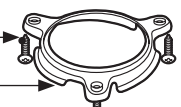
Removable Splash Guard
205497 


Sink Flange - Polished Stainless
1017 


Mounting Assembly Kit - 1824


Fiber Gasket 


Backup Flange 

Screws (x3) 


Mounting Ring 


Snap Ring 


Cushion Mount 

Lower Mounting Ring 

Drain Elbow Kit - 1026

Rubber Gasket 

Screws 

Drain Elbow 




Replacement Power Cord Kit
1024 

Garbage Disposals

MODEL GX575c

Other Available Accessories




Air Switch Remote Controller

- Installs into existing sink hole to operate disposer with plunger air switch.
- Perfect application for island countertops or where electrical switch is unavailable.
- No wiring connections or code restrictions.

Air Switch Base Unit	
Air Switch Remote Controller	ARC-4200
Additional Air Switch Button Finish Options:	
Chrome	AS-4201-CH
Satin Nickel	AS-4201-SN
Mediterranean Bronze	AS-4201-BRB
Polished Brass	AS-4201-BR
White	AS-4201-WH
Almond	AS-4201-AL
Biscuit	AS-4201-BIS

Optional:

Dishwasher Connector Kit
1023 

Unjamming Wrench
1037 